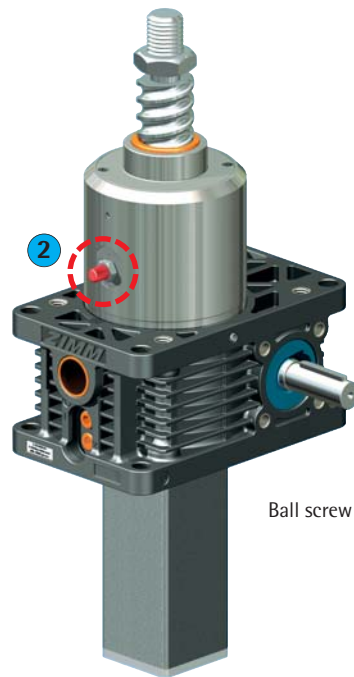
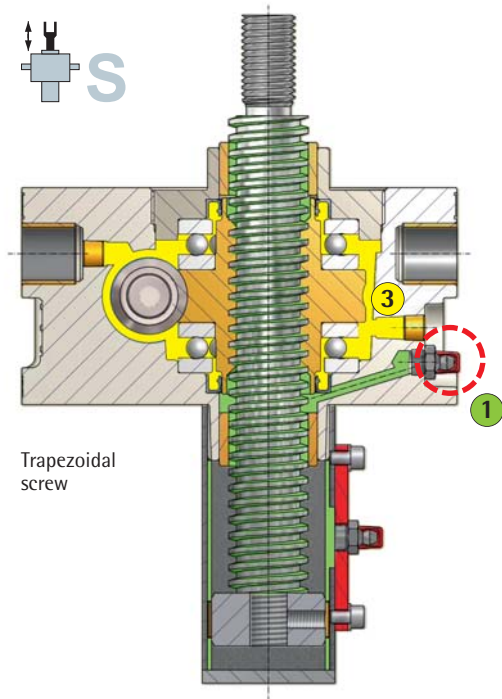
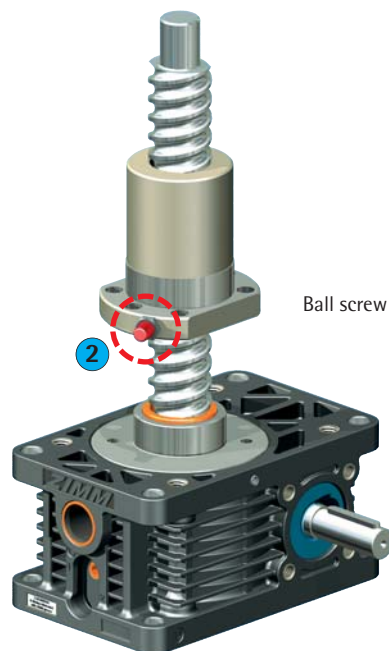
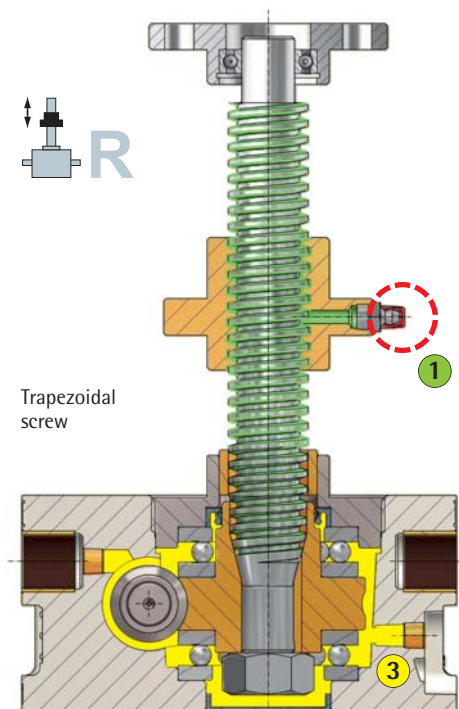


## Innovative separate lubrication



**i** The separate lubrication system is essential for high performance.

- 1** The **INNOVATION**: Screw lubrication **during operation** provides optimum grease distribution.
- 2** The same **INNOVATION** is also available for the ball screw version (KGT).



- 1** Screw lubrication **during operation** provides optimum grease distribution.
- 2** The same lubrication system is also available for the ball screw version (KGT).



## Screw lubrication

### 1 Trapezoidal screw

Inspect the trapezoidal screw regularly and regrease it depending on the operating cycle. Use the grease that we recommend. These greases are ideally matched to the operating requirements of our screw jack systems.



### 2 Ball screw KGT

Lubricate the ball screw KGT every 300 hours of effective operation. For heavy-duty systems every 100 hours.

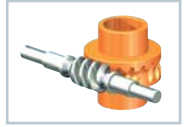


Grease quantity: Guidance value approx. 1 ml per cm screw diameter.

## Gearbox lubrication

### 3 Gearbox lubrication

The gearbox is sealed and is filled with high-performance synthetic grease (gearboxes from Z-250 are oil-filled). The gearbox is lubricated for life in normal operation.



See Section 4 for the list of lubricants.

Cartridge 400 g



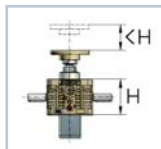
Lubricator  
Z-LUB, ZIMM lubricator



## Lubrication for short stroke applications

### S version:

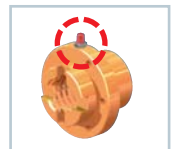
For short stroke applications (stroke < gearbox height), take particular care to ensure lubrication of the trapezoidal screw.



The simplest tactic is to specify the screw jack with a longer stroke than the gearbox height, and periodically perform a lubrication stroke. Otherwise, contact our Engineering Department for a suitable solution.

### R version:

If stroke length < nut height, use a nut with lubrication capability (such as a duplex nut DM).



## General

### Special lubricants

For special applications and for the earlier MSZ gearboxes we can offer suitable lubricants in each case.

These include amongst others:

- High-temperature grease
- Low-temperature grease
- Food grade grease
- Clean room grease, etc.

### Other greases, contamination

Using multipurpose greases and other greases can significantly impair operation and shorten the service life.

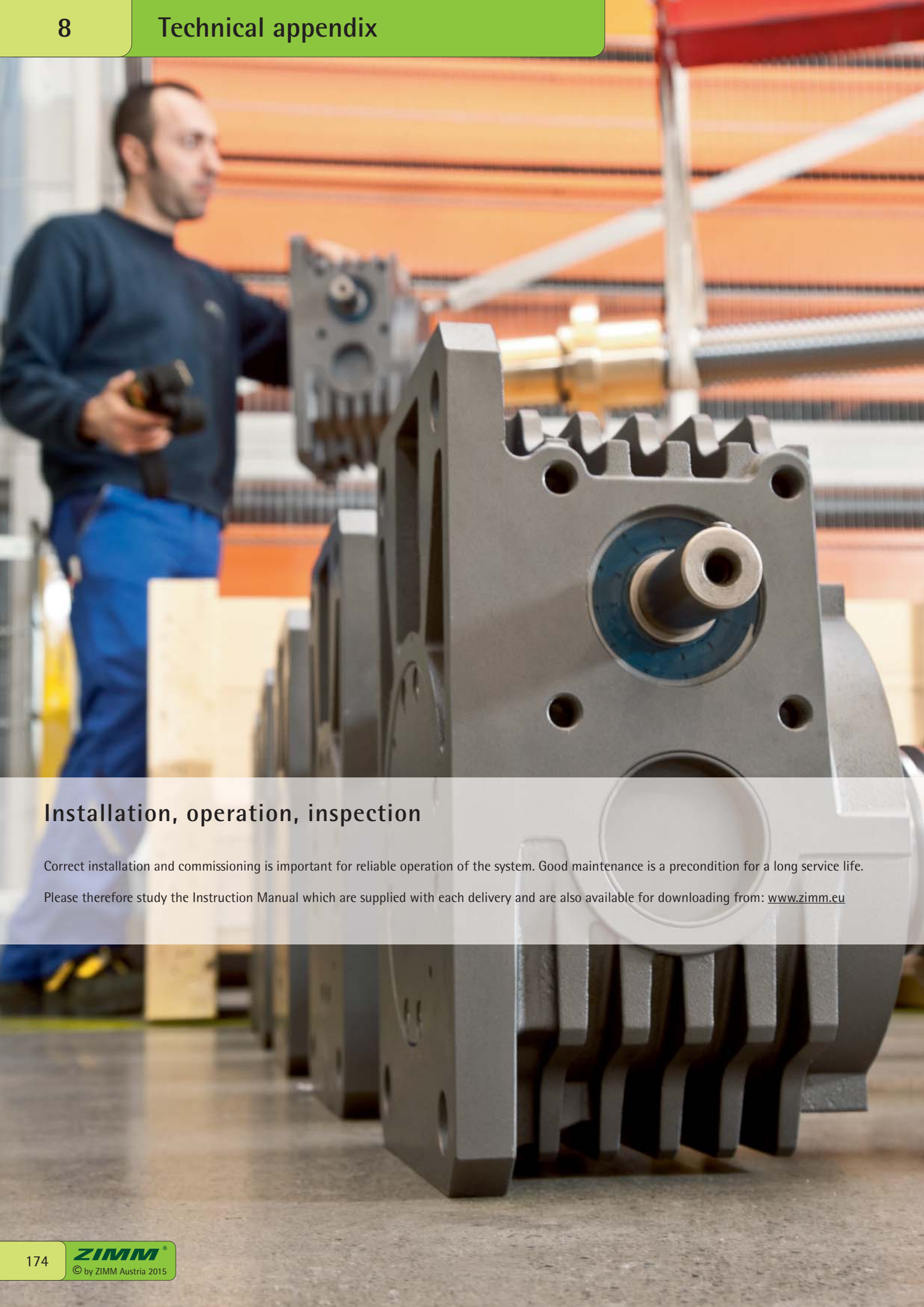
If the screw becomes dirty, clean and regrease it.

### Long-life systems

The grease used in long-life systems (such as working platforms and theatre stages) loses its lubricating properties after about 5 years.

Dust and dirt penetration intensify this effect. We recommend complete cleaning and regreasing after 5 years.

If mineral greases are used, this may be necessary after only 2-3 years.



## Installation, operation, inspection

Correct installation and commissioning is important for reliable operation of the system. Good maintenance is a precondition for a long service life.

Please therefore study the Instruction Manual which are supplied with each delivery and are also available for downloading from: [www.zimm.eu](http://www.zimm.eu)