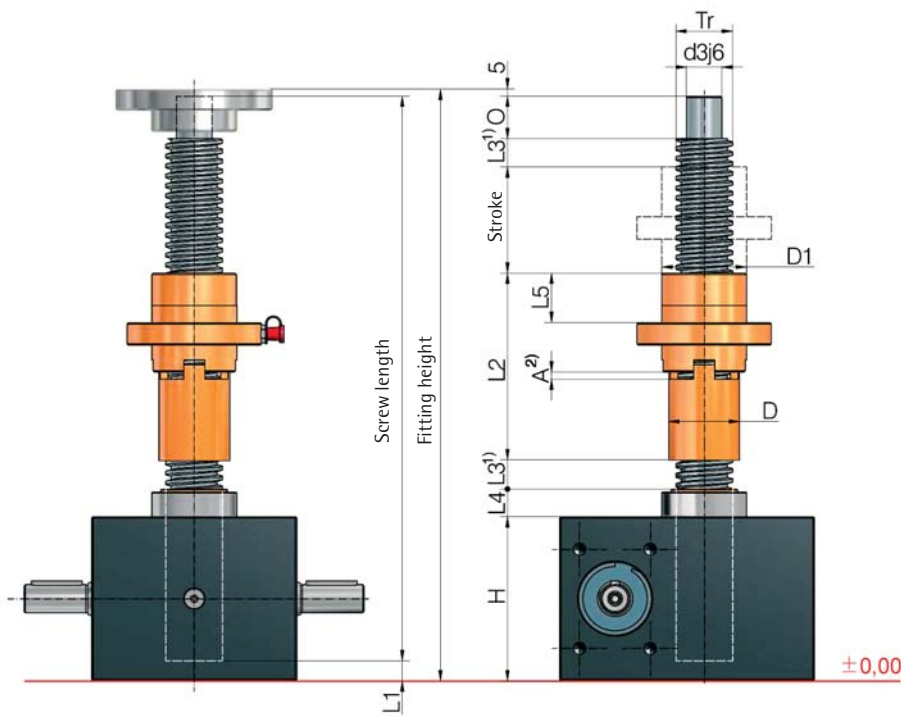
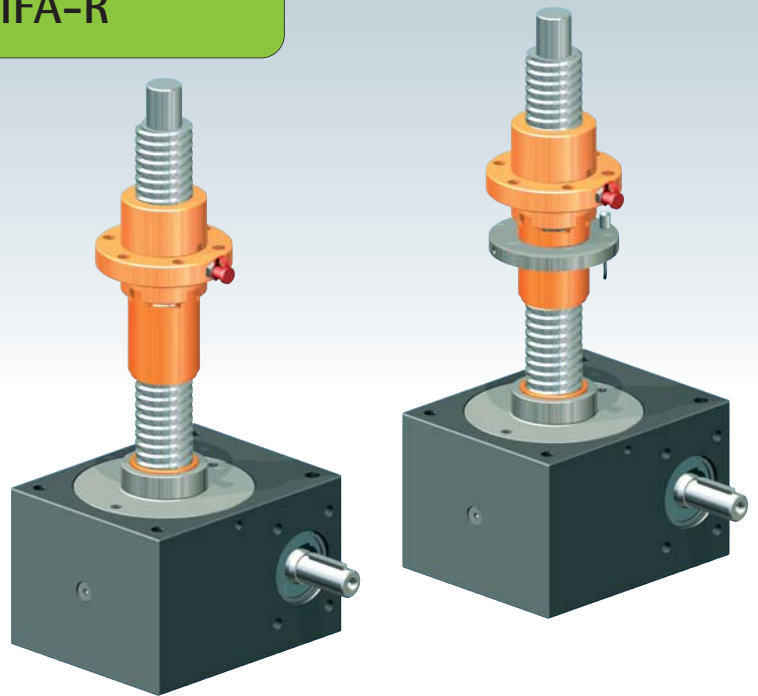




SIFA-R rotating screw



Function R version



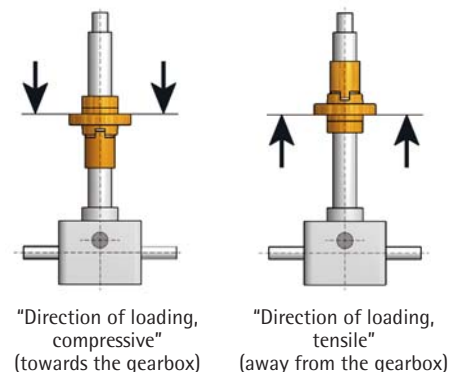
The load is borne by the duplex nut. The safety nut runs alongside the duplex nut, bearing no load. If the nut thread is worn through due to wear, the SIFA takes the load on the duplex nut.

**Direction of loading, compressive or tensile**  
A drawing showing the direction of loading is necessary in order to ensure the safety function. The SIFA-R operates in only one direction of loading.

- further technical information: Page 75
- see the respective screw jack page for all other dimensions
- see Section 4 for accessories
- SIFA in combination with self-aligning nut PM available on request

Screw jacks	Tr thread	H	D1	D	d3j6	O	L1	L2	L3 <sup>1)</sup>	L4	L5	A <sup>2)</sup>
GSZ-2	16x4	50	26	22	10	12	3	70	10	11	20	3
GSZ-5	18x4	62	29	24	12	15	8	70	10	12	20	3
GSZ-10	20x4	74	39	28	15	20	8	84	10	16	20	3
GSZ-25	30x6	82	46	38	20	25	5	95	10	17	23	4
GSZ-50	40x7	116	60	50	25	30	13	133	10	19	36	4
GSZ-100	55x9	160	85	65	40	45	10	173	20	30	54	6

Make sure you fit it the right way up:

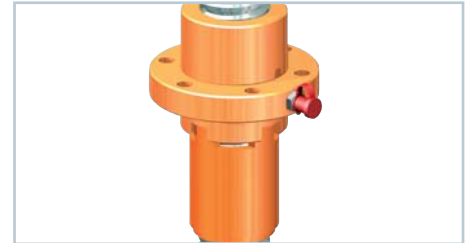
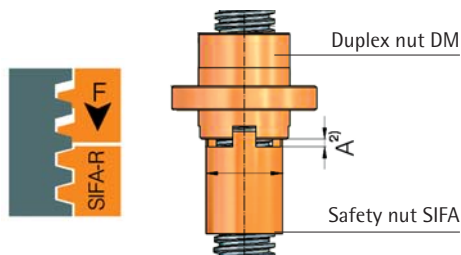


<sup>1)</sup> See Section 8 for extension if bellows or spiral spring is fitted  
<sup>2)</sup> approx. original setting, must be measured and documented by the customer, and referred to when checking

## SIFA-R, monitoring

### Visual

Dimension A is approx. the original setting. Dimension A must be measured and documented by the customer, and referred to when checking. This enables substitution to be planned well in advance and therefore prevents any unnecessary downtime. When the thread is worn through, take the equipment out of service immediately.



### Electrical

The initiator must be set that it switches off when the load nut reaches 25% of the wear. This enables a replacement to be planned well in advance and therefore prevents any unnecessary downtime. When the thread is worn through, take the system out of service immediately.

