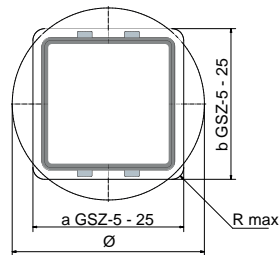
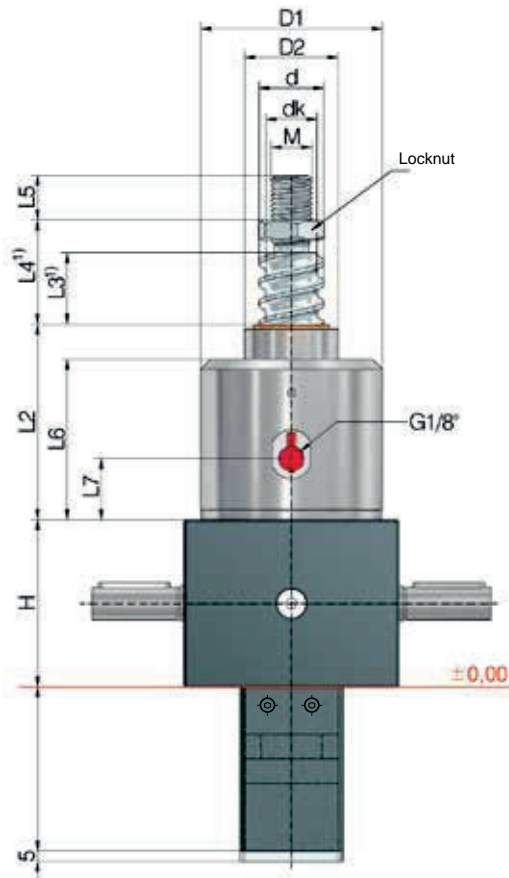


GSZ 5 to 25 kN

KGT-S | translating screw



Opening for protective tube SRO

GSZ-5	GSZ-10	GSZ-25
Protective tube square: a41 x b45, or Ø50		Protective tube square: a60 x b60, R max. 8 or Ø70

VS rotation protection is recommended as standard.

Protective tube length SRO

Detailed calculation of the fitting dimensions (bellows, screw, protective tube...) can be conveniently determined with our online configurator: www.zimm.com

Screw jacks	KGT Screw	Stroke per drive revolution		KGT Load rating kN		Axial play max ³⁾ mm
	ØxP	SN	SL	dyn. C ²⁾	stat. Co=C _{oa}	
GSZ-5	16x5	1,25	0,31	10,1	12	0,06
	16x10	2,50	0,63	11,1	12,9	0,06
GSZ-10	25x5	1,25	0,31	13,7	21,5	0,06
	25x10	2,50	0,63	25,2	45,4	0,06
	25x25	6,25	1,56	20,7	37,3	0,06
GSZ-25	25x50	12,50	3,13	19,2	37,3	0,06
	32x5	0,83	0,21	24,8	49,7	0,06
	32x10	1,67	0,42	30,8	45,6	0,06
	32x20	3,33	0,83	32,9	47,1	0,06
	32x40	6,67	1,67	18,3	37,3	0,06



Screw jacks	KGT Screw ØxP	Dimensions mm											
		H	d	dk	D1	D2	L2	L3 ¹⁾	L4 ¹⁾	L5	L6	L7	M
GSZ-5	16x5	62	15,5	12,9	59	29	66	15	25	19	54	23	M12
	16x10	62	15,5	12,9	59	29	66	25	35	19	54	23	M12
GSZ-10	25x5	74	24,5	21,9	69	39	85	15	27	20	69	21	M14
	25x10	74	24,5	21,9	69	39	85	25	37	20	69	21	M14
	25x25	74	24,5	21,9	69	39	85	60	72	20	69	21	M14
	25x50	74	24,5	21,9	69	39	85	125	137	20	69	21	M14
GSZ-25	32x5	82	31,5	28,9	89	46	99	15	31	22	82	33	M20
	32x10	82	31,5	26,8	89	46	99	20	36	22	82	33	M20
	32x20	82	31,5	26,8	89	46	99	35	51	22	82	33	M20
	32x40	82	31,5	28,9	89	46	99	70	86	22	82	33	M20

1) Depending on the control system and drive, the dimension L3 and L4 can be reduced at your own discretion.
An extension may be required if a bellows or spiral spring is fitted.

2) Dynamic load rating to DIN ISO 3408

3) Reduced play 0,02 mm available on request