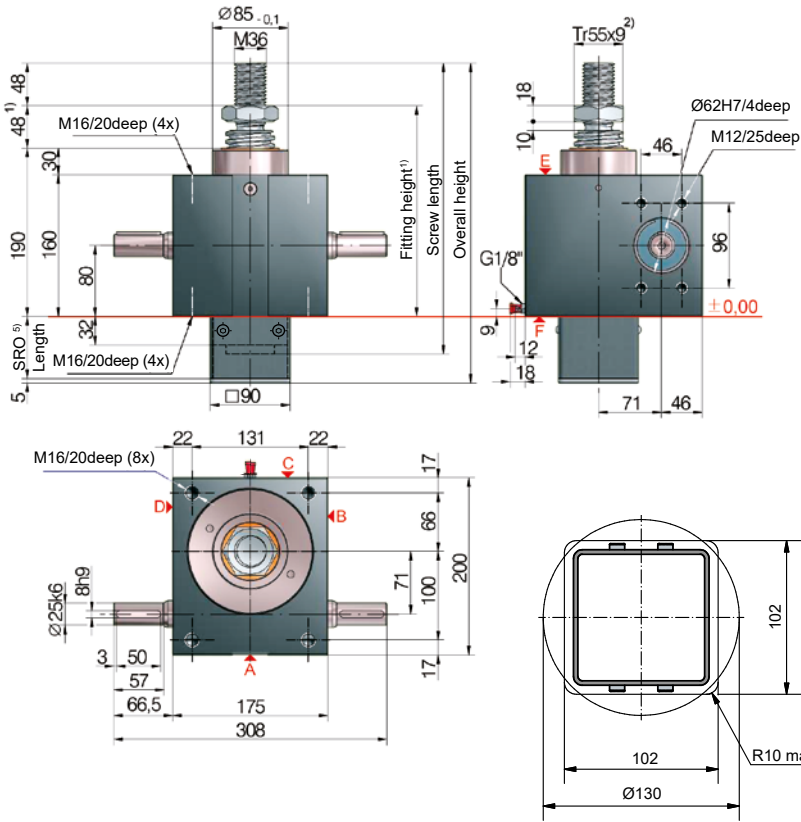


S 100 kN
GSZ-100-S | translating screw



5) Protective tube length SRO with Tr 55x9-Screw

Without escape/rotation protection	82 + stroke
Escape/rotation protection	112 + stroke
Rotation protection, with limit switch set ESSET	144 + stroke
Rotation protection and ESSET and KAR*	169 + stroke

*Hinged bearing plate KAR, fitted on face F (below).

Opening for protective tube square and round

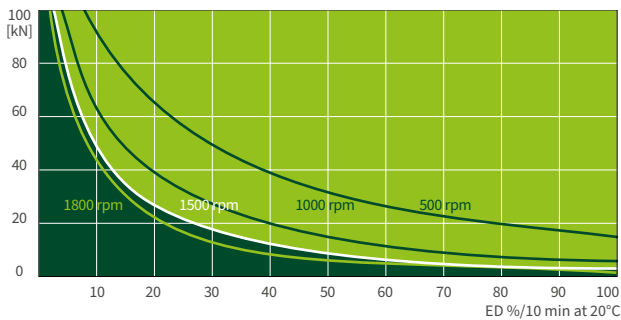
Standard configuration

Code	Gearbox (series)	Size	Version (variant)	Ratio	Screw	Stroke per drive shaft rotation
GSZ-100-SN	GSZ	100	S (translating screw)	N (normal) 9:1	Tr 55x9	1,00 mm
GSZ-100-SL				L (low) 36:1		0,25 mm

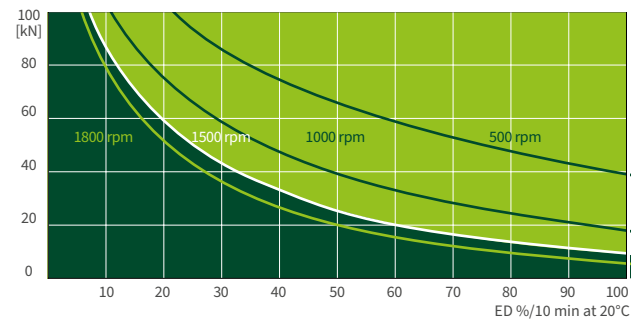
100 kN

Duty cycle thermal limit

Ratio „N“ (9:1)



Ratio „L“ (36:1)



These curves are for guidance under standard industrial conditions (ambient temperature 20°C etc.) and correct maintenance (lubrication etc.). They are based on the ZIMM standard trapezoidal thread Tr 55x9. The operation cycles can be many times longer, when using ball screws.