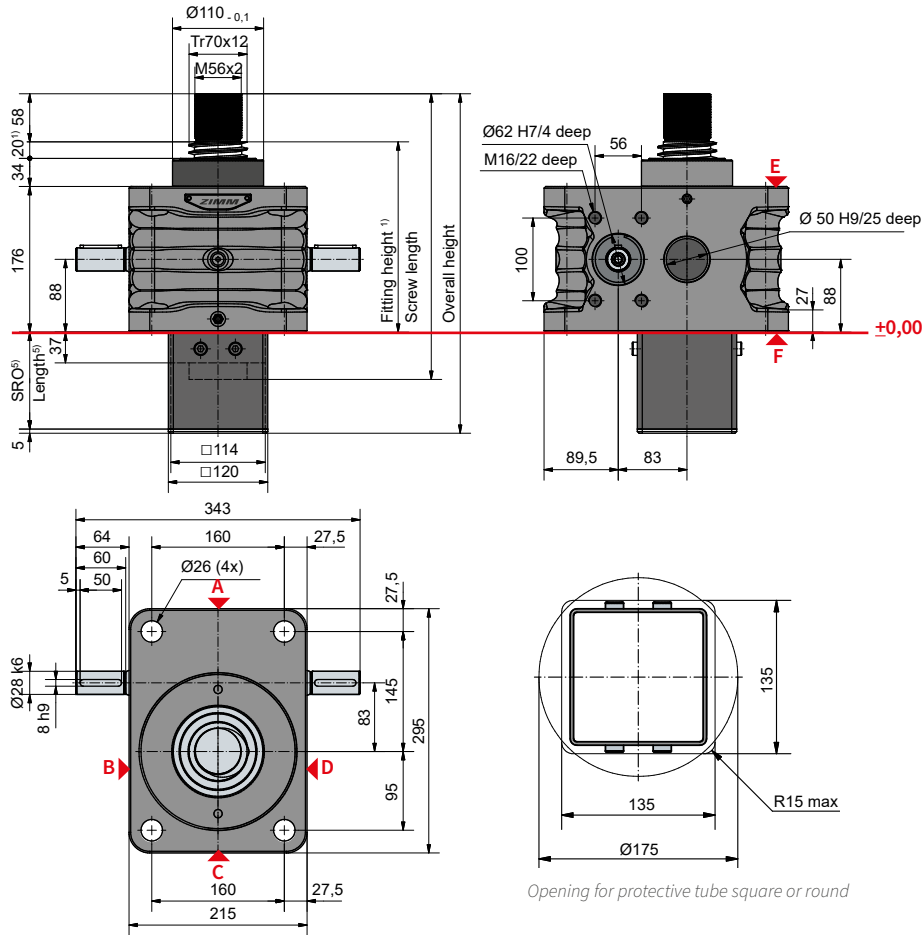


S 200 kN
ZE-200-S | translating screw



Protective tube length SRO with Tr 70x12-Screw

Without escape/rotation protection	87 + stroke
Escape/rotation protection	117 + stroke
Rotation protection, with limit switch set ESSET	149 + stroke

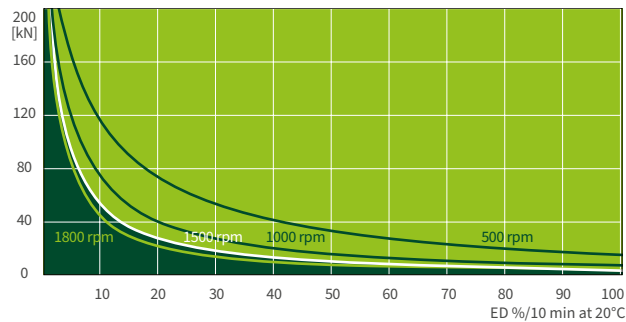
Standard configuration

Code	Gearbox (series)	Size	Version (variant)	Ratio	Screw	Stroke per drive shaft rotation
ZE-200-SN	ZE	200	S (translating screw)	N (normal) 8:1	Tr 70x12	1,50 mm
ZE-200-SL				L (low) 24:1		0,50 mm

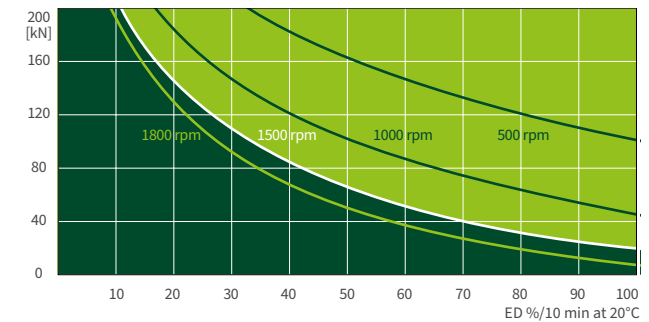
200 kN

Duty cycle thermal limit

Ratio „N“ (8:1)



Ratio „L“ (24:1)



These curves are for guidance under standard industrial conditions (ambient temperature 20°C etc.) and correct maintenance (lubrication etc.). They are based on the ZIMM standard trapezoidal thread Tr 70x12. The operation cycles can be many times longer, when using ball screws. In case you need an even longer duration or performance, look up about our high performance gearboxes ZE-H (identical dimensions) on the pages 70 and 71.