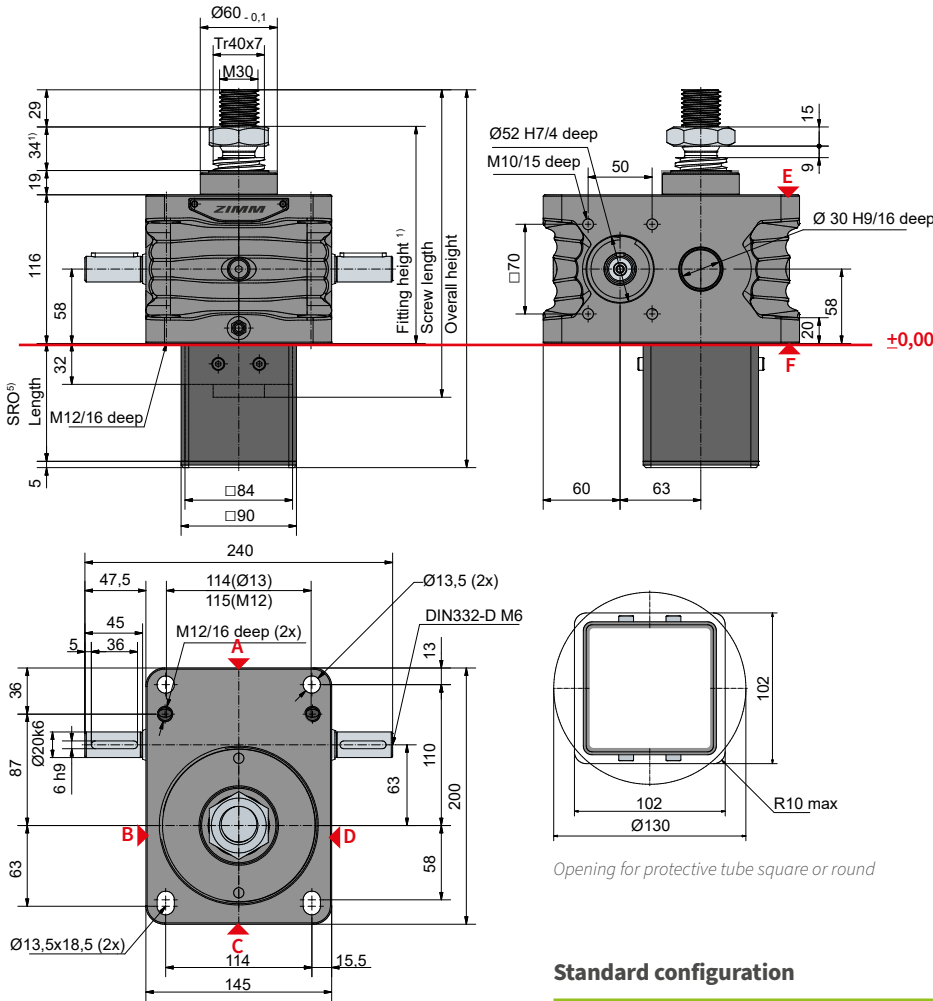


**S** 50 kN  
**ZE-50-S** | translating screw



**Protective tube length SRO with Tr 40x7-Screw**

Without escape/rotation protection	62 + stroke
Escape/rotation protection	92 + stroke
Rotation protection, with limit switch set ESSET	144 + stroke

Opening for protective tube square or round

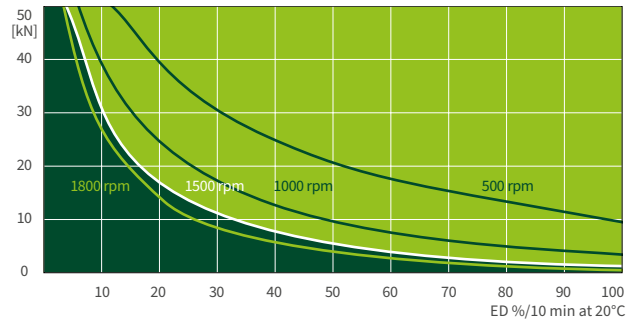
**Standard configuration**

Code	Gearbox (series)	Size	Version (variant)	Ratio	Screw	Stroke per drive shaft rotation
ZE-50-SN	ZE	50	S (translating screw)	N (normal) 7:1	Tr 40x7	1,00 mm
ZE-50-SL				L (low) 28:1		0,25 mm

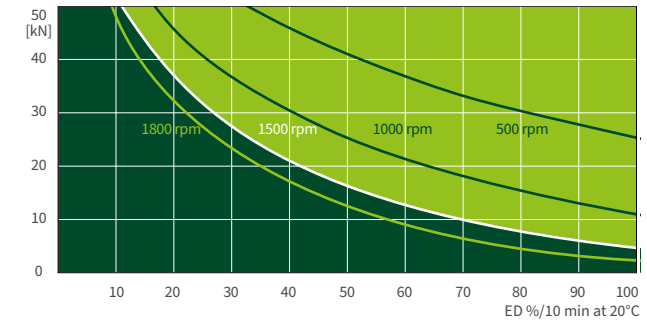
**50 kN**

**Duty cycle thermal limit**

Ratio „N“ (7:1)



Ratio „L“ (28:1)



These curves are for guidance under standard industrial conditions (ambient temperature 20°C etc.) and correct maintenance (lubrication etc.). They are based on the ZIMM standard trapezoidal thread Tr 40x7. The operation cycles can be many times longer, when using ball screws. In case you need an even longer duration or performance, look up about our high performance gearboxes ZE-H (identical dimensions) on the pages 70 and 71.