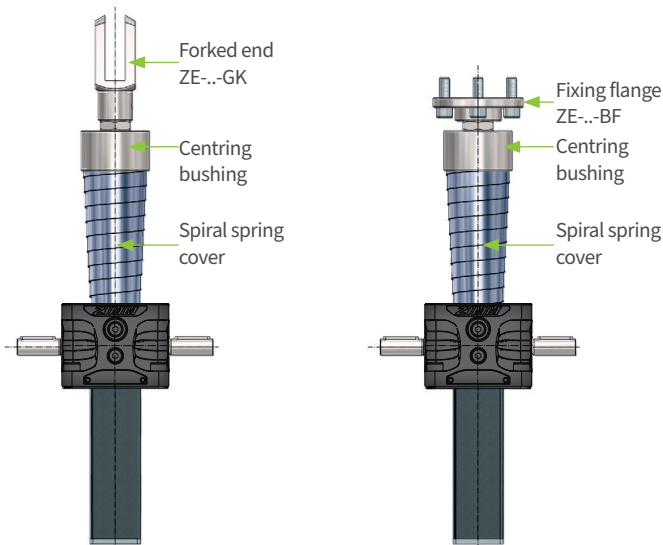


Accessories

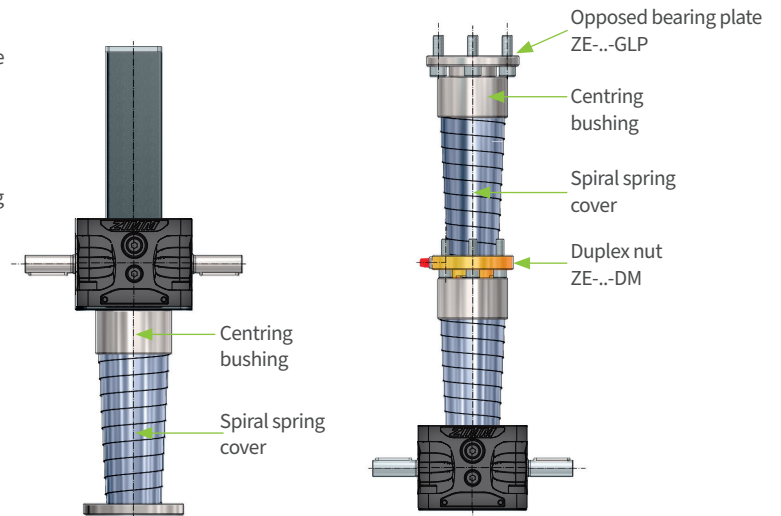
Spiral spring SF | Add-on component for translating and rotating version



Spiral spring cover attachment for types SN/SL



Spiral spring cover attachment for types RN/RL



Fitting instructions:

The SF spiral spring is usually used when the use of a bellows is not possible. For example, when sharp-edged chips accumulate or if mechanical protection of the spindle is necessary. Centring bushings are required when assembling combinations of different parts; we can include these in our quotation on request.

IMPORTANT!

Spiral springs must under no circumstances be allowed to uncoil. For technical reasons, please specify in your enquiry whether the spiral spring is to be installed horizontally or vertically.

If installation is to be vertical, we recommend that the larger diameter is at the top, as shown; if it is to be horizontal, the taper should be away from the direction of flow of the chips or other particulate. As a result, the SF has a self-cleaning effect under normal conditions due to overlapping of the windings.

In the case of heavy soiling, regular cleaning is necessary to prevent malfunctions. A slight film of oil on the spiral spring improves its operation and extends its service life.