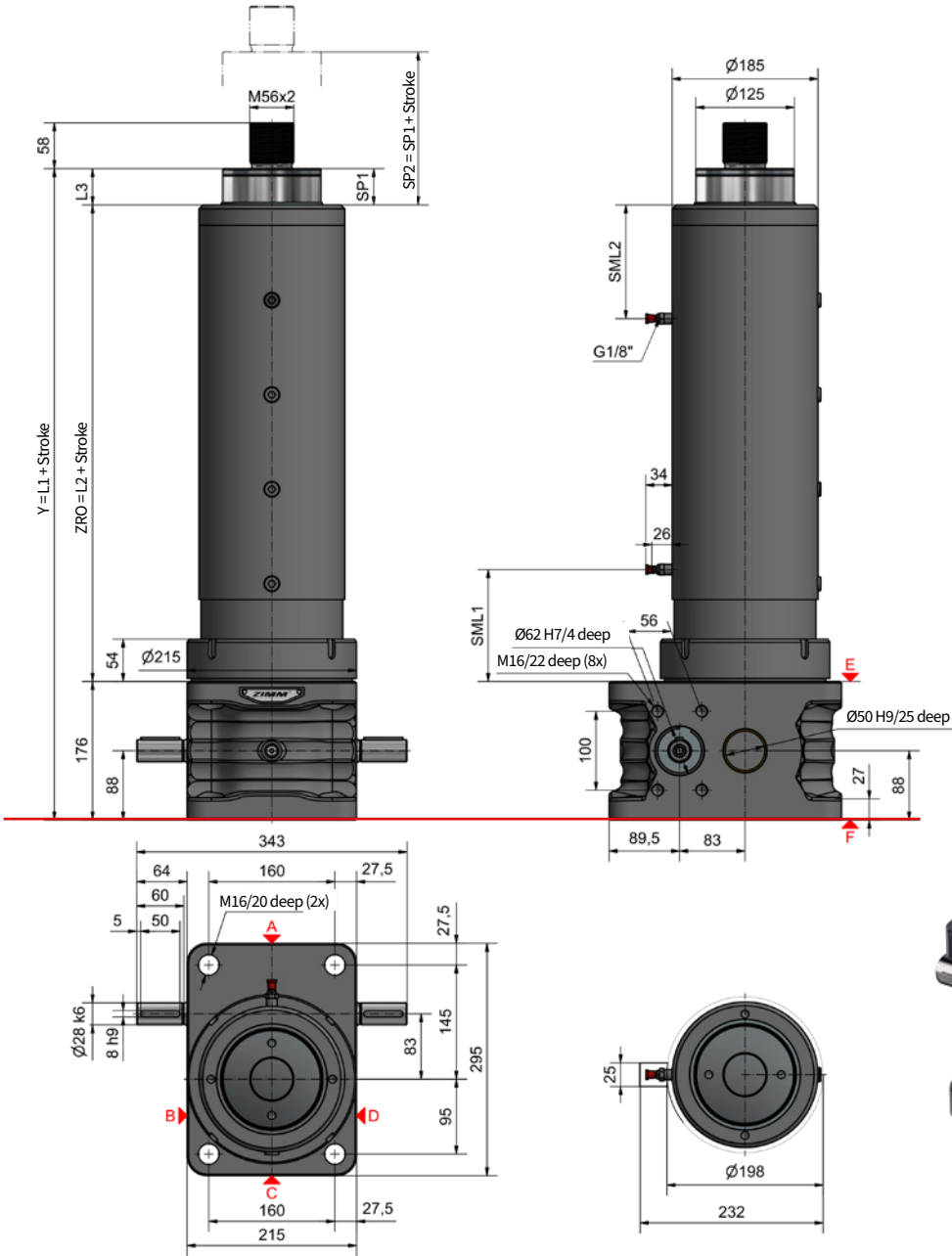


# 200 kN

## ZA-200 | Electromechanical actuators



# 200 kN

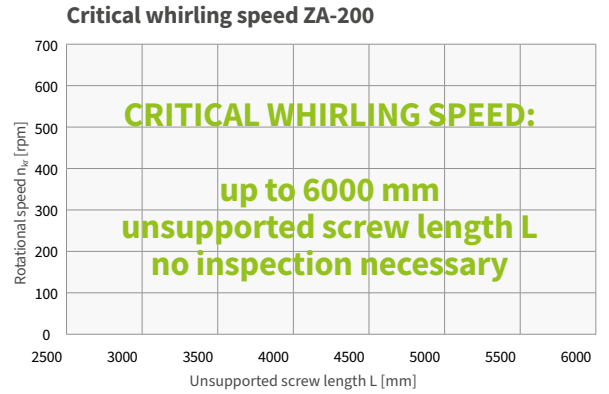
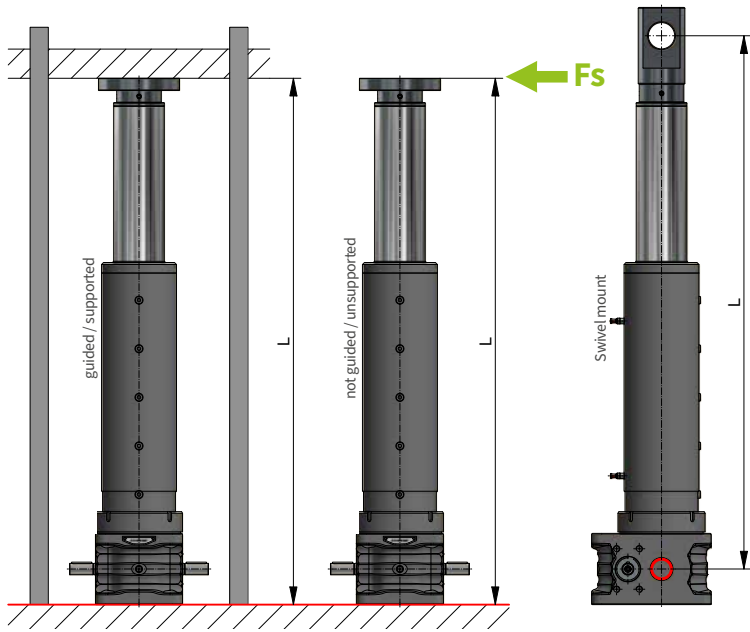
### Length calculations

	Standard TR	SIFA TR	KGT50x10	KGT50x20
L1	548 mm	591 mm	<b>on request</b>	
L2	339 mm	382 mm		
L3	33 mm	33 mm		
SP1	33 mm	33 mm		
SML1	114 mm	157 mm		
SML2	225 mm	225 mm		

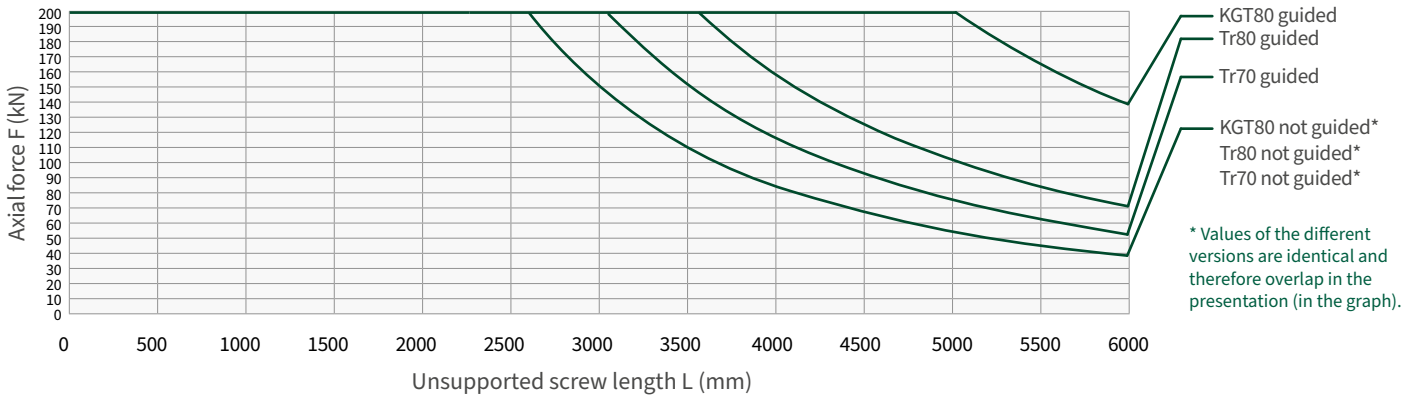
# Technical information

## ZA-200 | Critical buckling force & critical whirling speed

**ON REQUEST**



### Critical buckling force ZA-200



### Dynamic lateral force $F_s$ (max.)

Fully extended L [mm]	max. $F_s$ [N] (dynamic)	
	Standard	
700	4720	
800	4110	
900	3600	
1000	3220	
1200	2640	
1500	2080	
200	1480	
2500	1120	
3000	860	

For tensile loads in conjunction with lateral forces, the permissible load is limited to 60% of the nominal load (max. tensile force ZA-200 = 120kN). Part-turn actuator excluded from this limitation.

For compressive loads, the buckling diagram must also be observed.